

SC1 COMPACT DIAMETER RANGE

From Ø 42mm to Ø 250mm

TECHNICAL DATA

Dimensions Overview

DIMENSIONS

LENGTH: 550MM

WIDTH: 240MM

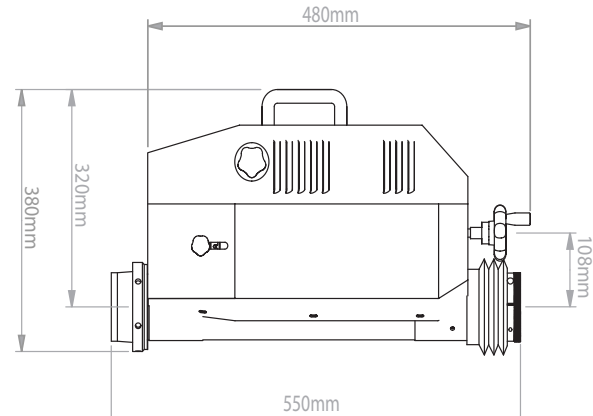
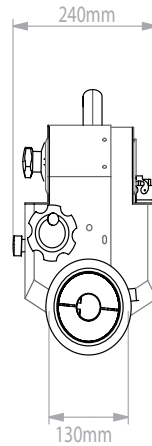
HEIGHT: 380MM

WEIGHT: 37KG

SHIPPING DIMENSIONS:
CONTAINERS

1 - 80X50X50 CM

1 - 230X20X20 CM



DIAMETERS

IN LINE BORING:	Ø 40 MM - Ø 250 MM
INTERNAL WELDING:	Ø 40 MM - Ø 250 MM
EXTERNAL WELDING:	Ø 40 MM - Ø 250 MM
DRILLING:	Ø 10 MM - Ø 45 MM
TAPPING:	Ø 10 MM - Ø 45 MM
EXTERNAL MACHINING:	SEE OPTIONAL ACCESSORY KITS
THREADING:	SEE OPTIONAL ACCESSORY KITS
FLANGE FACING:	SEE OPTIONAL ACCESSORY KITS

FEED MOTOR

- DC MOTOR
- POWER RATED @ 90W
- RATED SPEED @ 11RPM
- FEED RATE PER REVOLUTION 0.56 MM/REV
- CONTINUOUS FEED STROKE - 250MM
- MANUAL & AUTOMATIC FEED - RACK AND PINION GEARED SYSTEM (90% EFFICIENCY)

DRIVE MOTOR

- SINGLE PHASE AC MOTOR
- POWER RATED @ 1800W
- RATED SPEED @ 2800RPM
- TRANSMISSION - 2/1 HELICAL TRANSMISSION GEARBOX
- GEAR SPEEDS:
 - 1° MAX 120RPM
 - 2° MAX 400RPM
- OUTPUT TORQUE @ BAR
 - 1° GEAR = 536.5NM

ELECTRONIC CONTROL PANEL

- VOLTAGE - 220V 50/60HZ (OPTIONAL 110V)
- ELECTRICAL ABSORPTION @ 1800W
- POWER SWITCH
- EMERGENCY STOP SWITCH
- INVERTER CW/CWW FEED CONTROLLER
- INVERTER CW/CWW ROTATION CONTROLLER
- AUTOMATIC/MANUAL FEED CONTROL
- INFINITELY VARIABLE AND REVERSIBLE FEED
- FEED RPM CONTROL (10 TURN POTENTIOMETER DIALS)
- ROTATION RPM CONTROL (10 TURN POTENTIOMETER DIALS)

STANDARD EQUIPMENT

- | | | |
|---|---|---------------------------------|
| N° 1 ELECTRONIC CONTROL PANEL | N° 2 CONICAL THREAD MAIN BEARING SUPPORTS | N° 5 SHORT CONTACT TIPS Ø 0.8MM |
| N° 1 BORING BAR Ø 40MM X 2200MM | N° 2 ADDITIONAL SUPPORTS | N° 5 LONG CONTACT TIPS Ø 0.8MM |
| N° 1 BORING BAR Ø 40MM X 1100MM | N° 1 DIAL GAUGE SUPPORT | N° 4 SHORT NOZZLES |
| N° 1 BORING BAR EXTENSION 470MM | N° 1 DIAL GAUGE 0.01 - 5MM +/- | N° 4 LONG NOZZLES |
| N° 1 TELESCOPIC WELDING TORCH (2000MM) | N° 1 TOOL HOLDER FOR BORING FROM Ø 100MM TO 250MM | N° 1 TELESCOPING GAUGE 250MM |
| N° 1 BOX OF 10 CARBIDE INSERTS | N° 1 BORING MACHINE STAND | N° 1 COMPLETE SET OF WRENCHES |
| N° 1 TOOL HOLDER RIGHT Ø 12MM X 100MM | N° 1 LANCE FOR EXTERNAL WELDING | N° 12 SUPPORT BRACKETS |
| N° 1 TOOL HOLDER LEFT Ø 12MM X 60MM | N° 1 MAINS CABLE (CONTROL PANEL) | N° 1 MAINS CABLE |
| N° 1 TOOL HOLDER (SH) Ø 12MM X 40MM | N° 5 EXTENSION LANCES 35MM | |
| N° 1 SPINDLE CENTRING KIT | N° 1 EXTENSION LANCES 100MM | |
| N° 1 SPINDLE CENTRING KIT FOR BLIND HOLES | | |

SC1 COMPACT

From Ø 42mm to Ø 250mm

STANDARD EQUIPMENT

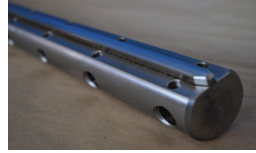
Equipment listing



COD: GC08SC
ITEM: ELECTRONIC CONTROL PANEL
QUANTITY: 1



COD: COE00036
ITEM: BORING BAR Ø 40 X 2200MM
QUANTITY: 1



COD: COE00035
ITEM: BORING BAR Ø 40 X 1100MM
QUANTITY: 1



COD: COE00593
ITEM: BAR EXTENSION 470MM
QUANTITY: 1



COD: GC17SC
ITEM: TELESCOPIC TORCH SHAFT
QUANTITY: 1



COD: COT90144
ITEM: CARBIDE INSERTS BOX OF 10
QUANTITY: 1



COD: COE00122
ITEM: TOOL HOLDER RIGHT Ø12 X 100MM
QUANTITY: 1



COD: COE00121
ITEM: TOOL HOLDER LEFT Ø 12 X 60MM
QUANTITY: 1



COD: COE00665
ITEM: TOOL HOLDER (SH) Ø 12 X 40MM
QUANTITY: 1



COD: KCE00175
ITEM: CENTRING KIT
QUANTITY: 1



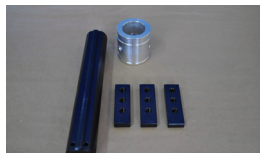
COD: COT90066
ITEM: SHORT CONTACT TIPS Ø 0.8MM
QUANTITY: 5



COD: COT90067
ITEM: LONG CONTACT TIPS Ø 0.8MM
QUANTITY: 5



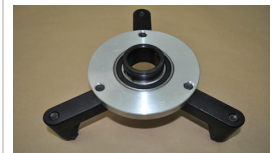
COD: KCS00637
ITEM: COMPLETE SET OF WRENCHES
QUANTITY: 1



COD: KCE00182
ITEM: CENTRING KIT (BLIND HOLES)
QUANTITY: 1



COD: GC13SC1
ITEM: CONIC THREADED MAIN BEARINGS
QUANTITY: 2



COD: GC13SC1
ITEM: ADDITIONAL SUPPORTS
QUANTITY: 2



COD: KSC00145
ITEM: DIAL GAUGE SUPPORT
QUANTITY: 1



COD: COT90145
ITEM: DIAL GAUGE 0.01 - 5MM +/-
QUANTITY: 1



COD: KED00550
ITEM: TOOL EXTENSION Ø 100 - 250MM
QUANTITY: 1



COD: COE00029
ITEM: BORING MACHINE STAND
QUANTITY: 1



COD: COE00074
ITEM: LANCE FOR EXTERNAL WELDING
QUANTITY: 1



COD: COE00524
ITEM: LANCE EXTENSIONS 35MM
QUANTITY: 5



COD: COE00525
ITEM: LANCE EXTENSIONS 100MM
QUANTITY: 1



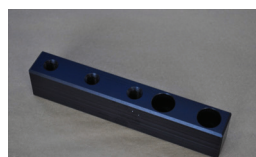
COD: COT90065
ITEM: LONG NOZZLE
QUANTITY: 4



COD: COT90064
ITEM: SHORT NOZZLES
QUANTITY: 4



COD: KMS00551
ITEM: TELESCOPING GAUGE 250MM
QUANTITY: 1



COD: COE00625
ITEM: SUPPORT BRACKETS
QUANTITY: 12



COD: KCC00113
ITEM: MAINS CABLE (CONTROL PANEL)
QUANTITY: 1

ACCESSORY KITS

Optional Kits covering all your needs

REDUCTION KITS - SMALL BORE DIAMETERS

PART N°.	DIAMETER RANGE	DESCRIPTION
KEP00187	Ø 22mm to Ø 50mm	Line Boring Reduction Kit for small bores
KEP00188	Ø 32mm to Ø 100mm	Line Boring Reduction Kit for small bores

EXTENSION KITS - LARGE BORE DIAMETERS

PART N°.	DIAMETER RANGE	DESCRIPTION
KED00180	Ø 400mm to Ø 600mm	Line Boring & Rotary Welding Kit for large bores

FLANGE FACING KITS

PART N°.	DIAMETER RANGE	DESCRIPTION
KES00186	Ø 48mm to Ø 255mm	Flange Facing Kit for boss faces etc.
KES00200	Ø 56mm to Ø 400mm	Flange Facing Kit for boss faces etc.

EXTERNAL MACHINING

PART N°.	DIAMETER RANGE	DESCRIPTION
KEL00185	Ø 100mm to Ø 300mm	Kit for External Machining & Welding
KEL00202	Ø 150mm to Ø 400mm	Kit for External Machining & Welding

EXTRAS

AE000643	N/A	Digital CNC Control Panel
AE000487	Ø 40mm	Boring Bar Connection Joint (a)
AE000488	Ø 40mm	Boring Bar Connection Joint (b)
AE030015	N/A	Step Welding Cam System
AE003018	Ø 40mm x Ø 1500mm	Boring Bar 40mm x 1500mm
AE003017	Ø 40mm x Ø 3000mm	Boring Bar 40mm x 3000mm

LINE BORING & ROTARY WELDING OVERVIEW

Portable Line Boring and Rotary Welding equipment, is the ideal solution for most on-site repairs or over-hauls within the heavy plant, marine, off-shore, petrochemical, and heavy industrial sectors to name but a few. LBW Machines, have helped over many years, its commercial customers maintain a high level of maintenance repairs, helping them succeed into days demanding environments.

The affordability and investment cost, in our machines, helps customers move from a period of losses or low profitability (old conventional repairs), into a more profitable & repetitive repair service.

The Portability of our line boring & rotary welding machines, means they can be easily taken on-site to the plant, as opposed to transporting heavy plant or work pieces to the workshop, thus resulting in far less down-time and transport costs than would otherwise be the case.

This also reduces or avoids the need for stand-in equipment and saves on associated labour and transport costs.

Portable Line Boring and Welding Machines, allows the operator to re-machine elliptical worn bores (oversized) & then rotary weld them (undersize), and then machining them back to the original manufactures tolerances/spec or to a bespoke bush size, within hours. This process is achieved with only 1 Machine and 1 Setup.

For more information please call +44 (0) 121 537 4525, email kieran@lineboringandwelding.com or visit www.lineboringandwelding.com

UNIQUE CHARACTERISTICS

WHAT MAKES OUR EQUIPMENT UNIQUE

CONICAL THREADED BEARING SUPPORTS

- Stability, Alignment & Clearance

MOTOR FRICTION

- Permanently lubricated

WELDING TECHNOLOGY

- Synchronous Feed & Rotation Control (calibrated rotation speed, based on feed rate) resulting in a tight uniformed weld bead, giving even height and width.

ONE MACHINE - ONE SETUP - 10 APPLICATIONS

