

A grayscale photograph of a worker in a blue jacket and gloves operating a beveling machine on a large, circular industrial component. The machine has a green circular overlay in the center. The worker is holding a tool that is part of the machine, which is mounted on the component. The background is a bright, hazy environment with some bokeh light effects.

# BEVELLING MACHINES

# THE FUTURE OF **ON-SITE MACHINING**

**LBW MACHINES LTD IS A STRATEGIC PARTNER FOR THE GLOBAL DISTRIBUTION AND THE IMPLEMENTATION OF PORTABLE MACHINING, CUTTING, AND WELDING EQUIPMENT.**

OIL AND GAS

NUCLEAR

OFFSHORE

SHIP REPAIR & BUILD

HEAVY PLANT

MINING & QUARRYING

POWER GENERATION

PETROCHEMICAL

WIND POWER

BIOCHEMICAL

PHARMACEUTICAL

AEROSPACE

AERONAUTIC

DEFENCE

PIPELINE

## US450 - BEVELLING MACHINE

From Ø 457mm to Ø 914mm

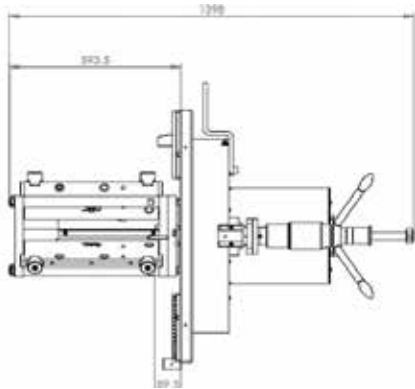
SKU: US450 | US 450 HY

## TECHNICAL DATA

Dimensions Overview

### DIMENSIONS

HEIGHT: 1390MM



### SPECIFICATIONS

MACHINING CAPACITY:	457mm ID – 914mm OD - With Optional Kit: 457mm ID – 1828.8mm OD
BEVEL SHAPES & ANGLES:	I, V, U, X, Compound Bevels, Other Shapes on Request
CLAMPING CAPACITY:	420mm - 920mm ID
FEED STROKE:	52mm
DRIVE POWER:	Pneumatic or hydraulic
NOTE:	NB: Pneumatic Driven Machines have to be used with a lubricating filter. Recommended Option: Regulation Valve.
DUAL PNEUMATIC DRIVE:	2 x 2.3 kW, 6 bar (87 psi), 2 x 3100 l/min (2 X 109 cfm)
HYRAULIC DRIVE:	2 x Hydraulic Drives (recommended HPP: 22 kW)

### OPERATIONAL BENEFITS

Ultimate end-machining solution for tubes and pipes with diameters ranging from 457mm (18") to 914mm (36") for numerous applications.

Very powerful, versatile and reliable heavy duty beveler for demanding weld end preparation applications.

Unique capabilities for construction, inspection and repair operations on the job site or in the fabrication workshop. Strong ID clamping mandrel provides a safe and secure mounting during the machining process.

Cold machining process - No heat affected zone! - Unmatched results!

Available with dual pneumatic drive or dual hydraulic drive (to be used with a 22KW hydraulic power unit).

The durability, reliability and capability of the US450 earned this machine the excellent reputation it enjoys wherever it is used in the world.





**MACHINES LTD**

8 Regents Way, Sutton Coldfield  
West Midlands B75 7NW United Kingdom  
T: +44 (0)121 537 4525  
M: +44 (0)7923 391 428  
Email: [sales@lineboringandwelding.com](mailto:sales@lineboringandwelding.com)  
[www.lineboringandwelding.com](http://www.lineboringandwelding.com)

